

KHS3 series



KHS3-50D

Features

- Wedge type, 3-jaw centric gripper
- 0.01mm high repeat accuracy
- Easier center mounting with positioning pin at the bottom
- Flexible mounting : Through holes / Bottom tap
- Sensor is applicable
- Compact and high durability

How to order

KHS3 - ① 25 ② D - A93 ③ ④

① Series

KHS3	Standard centric gripper
KHSL3	Long stroke centric gripper

② Bore size

	KHS3	KHSL3
16	Ø16	
20	Ø20	
25	Ø25	
32	Ø32	Ø32
40	Ø40	Ø40
50	Ø50	
63	Ø63	

④ Number of auto switches

Nil	2 pcs
N	N pcs (N: 3, 4, 5...)

③ Auto switch

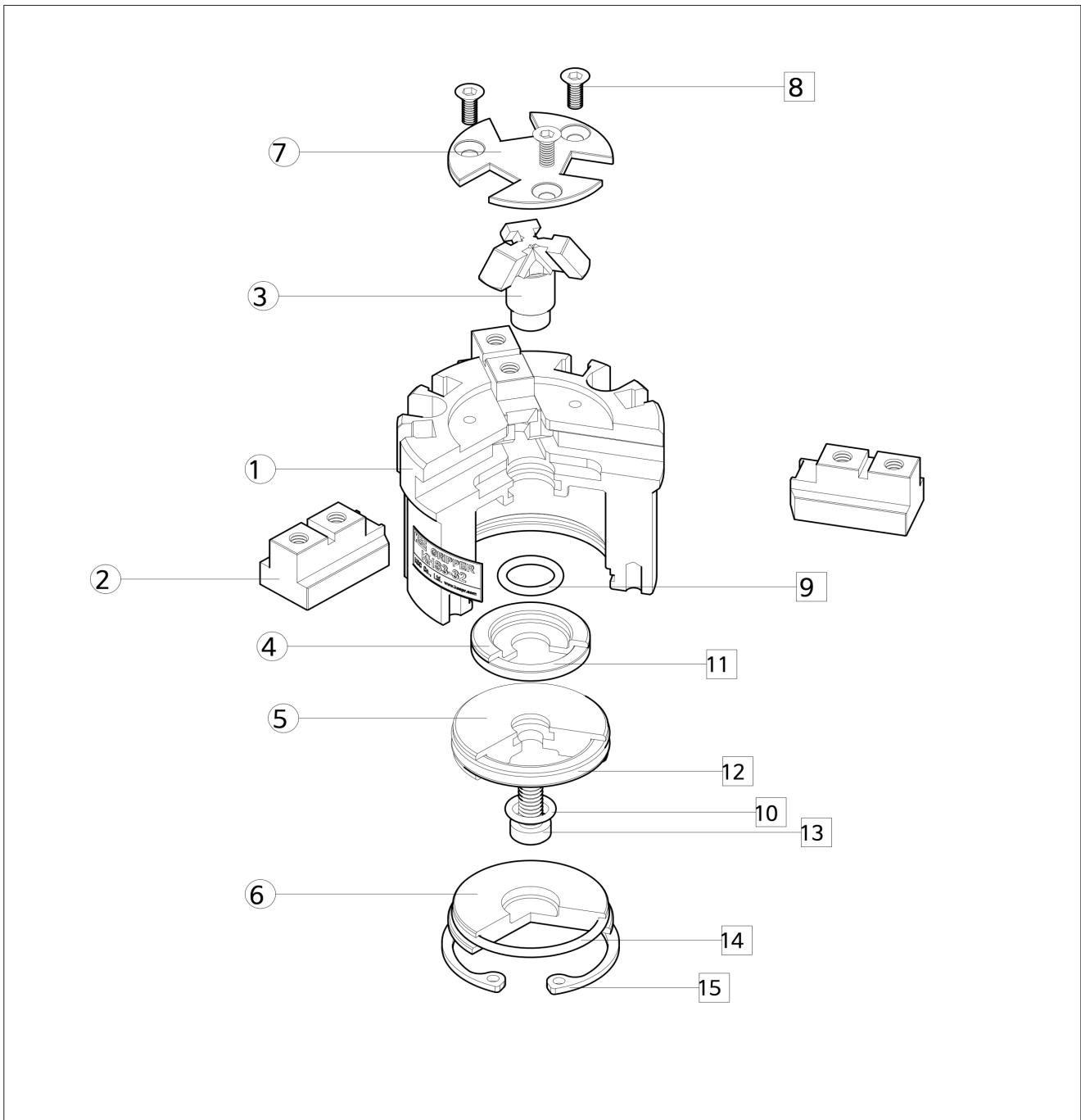
Nil		None		Applied products and notes
Reed A/S	Model	Solid state A/S	Model	
A93(V)	D-A93(V)K	F-9□(V)	D-F9□(V)K	□ = N, P, B KHS3-16, 20, 25
A93N	D-A93KN	F-9□(V)	D-F9□(V)K	
A93(V)S	D-A93(V)K-S	F-9□(V)	D-F9□(V)K	
Z72K	D-72K	Y59A	D-Y59AK	KHS3-32, 40, 50, 63
Z73K	D-Z73K	Y7P	D-Y7PK	
Z82K	D-Z82K	Y59B	D-Y59BK	

* Refer to Auto Switch Catalogue for more information.

Specifications

	KHS3-16	KHS3-20	KHS3-25	KHS3-32	KHS3-40	KHS3-50	KHS3-63
Fluid	Compressed air						
Operating Pressure	1~7kgf/cm ² (0.1~0.7MPa)						
Ambient Temperature	0~60°C						
Stroke(mm)	4	4	6	8	8	12	16
Port size	M3	M5					
Air consumption(CC/Cycle)	0.8	1.4	3.3	7.1	11.4	26.1	57.2
Max. gripping point(mm)	30	35	40	45	50	60	70
Repeat Accuracy(mm)	±0.01						
Frequency(Cycle/min)	60			50		40	
Weight(kg)	0.08	0.1	0.15	0.25	0.38	0.57	1.02

Structure

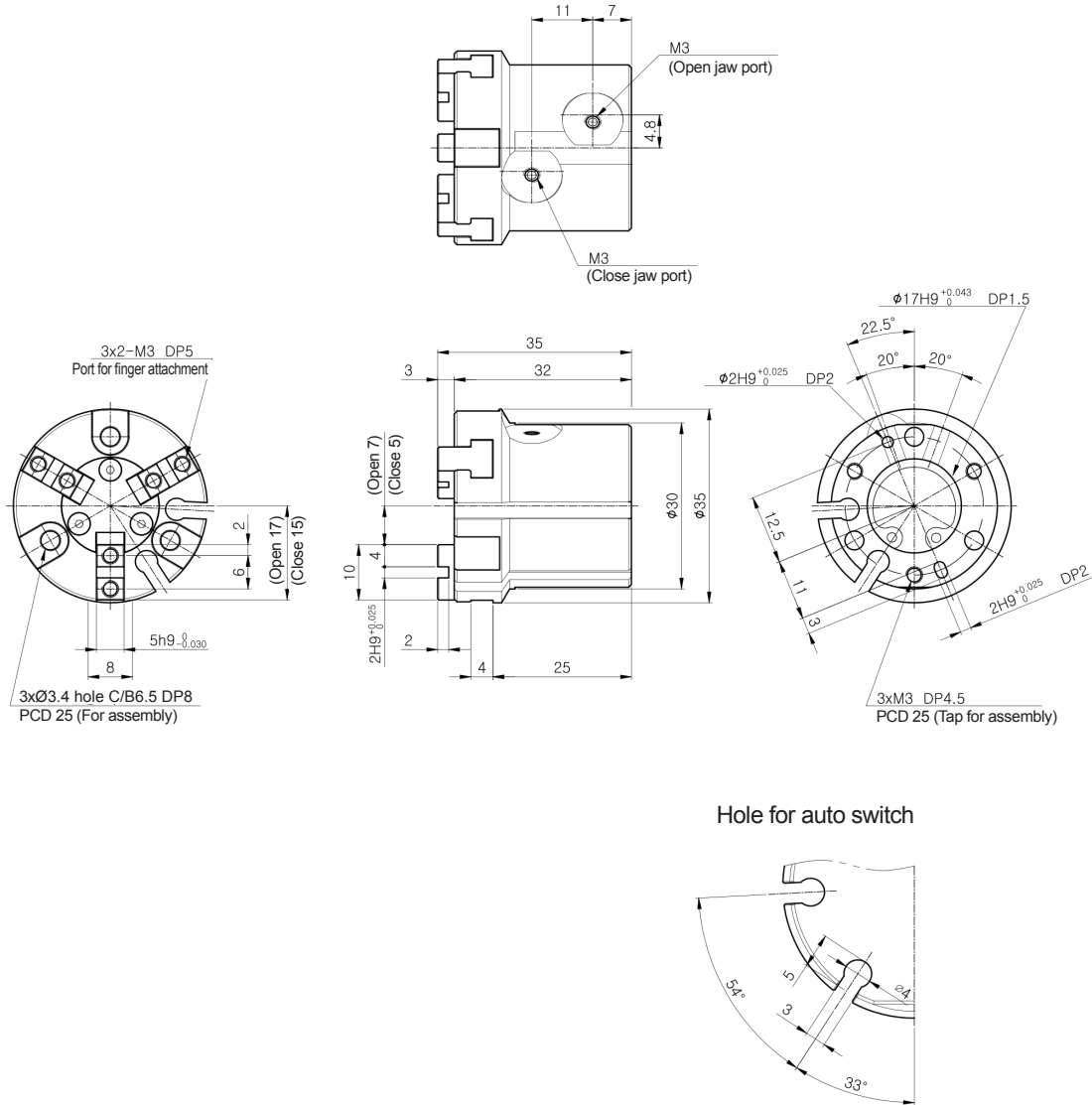


No	Parts	Material	Remark
1	Gripper Body	Aluminum alloy	Hard anodized
2	Jaw	Carbon steel	Heat treated, Special treatment
3	Plunger	Carbon steel	Heat treated, Special treatment
4	MG bracket	Carbon steel	
5	Piston	Aluminum alloy	
6	End cover	Aluminum alloy	
7	Dust cover	Aluminum alloy	

No	Parts	Material	Remark
8	Bolt	NBR	
9	O-Ring	NBR	
10	O-Ring	NBR	
11	Magnet	-	
12	Quad-Ring	NBR	
13	Bolt	Stainless steel	
14	O-Ring	NBR	
15	Snap-Ring	Stainless steel	

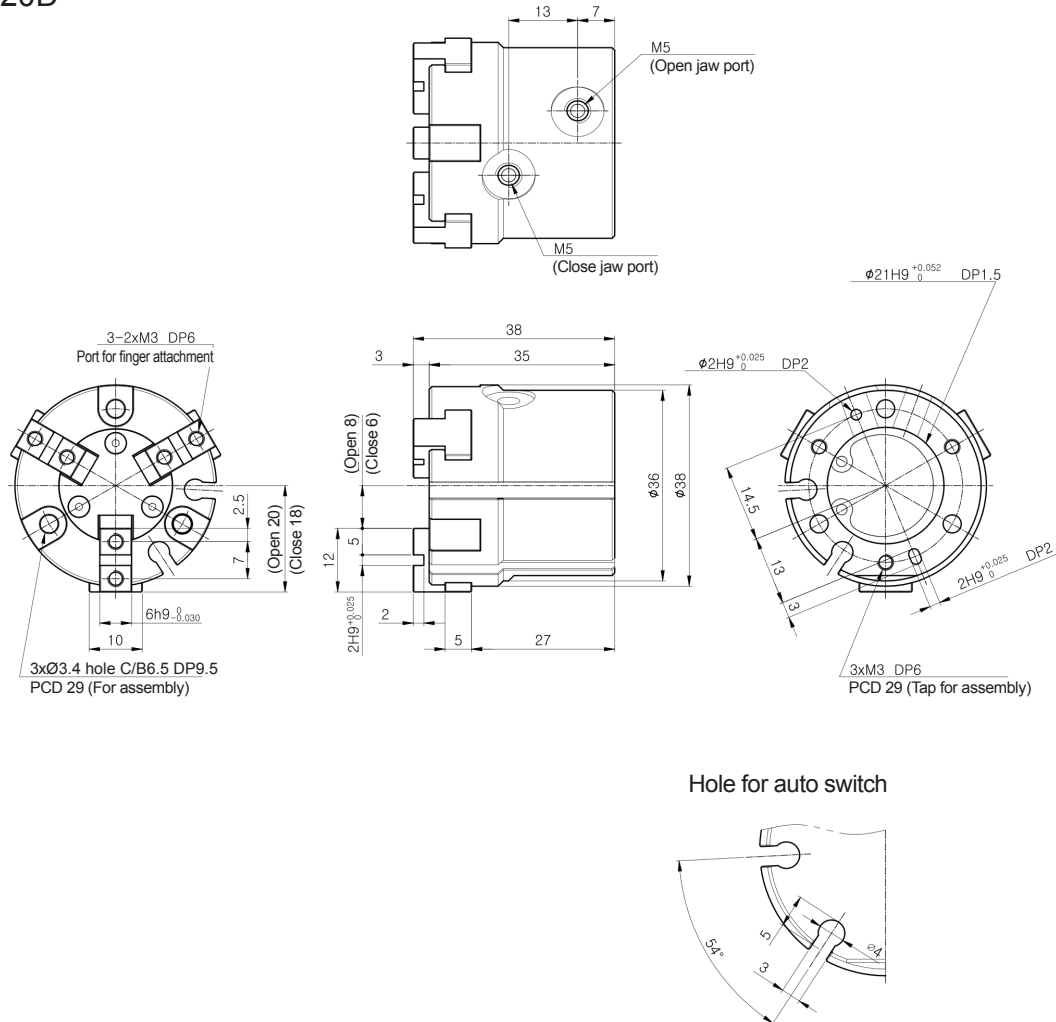
Dimensions

KHS3-16D



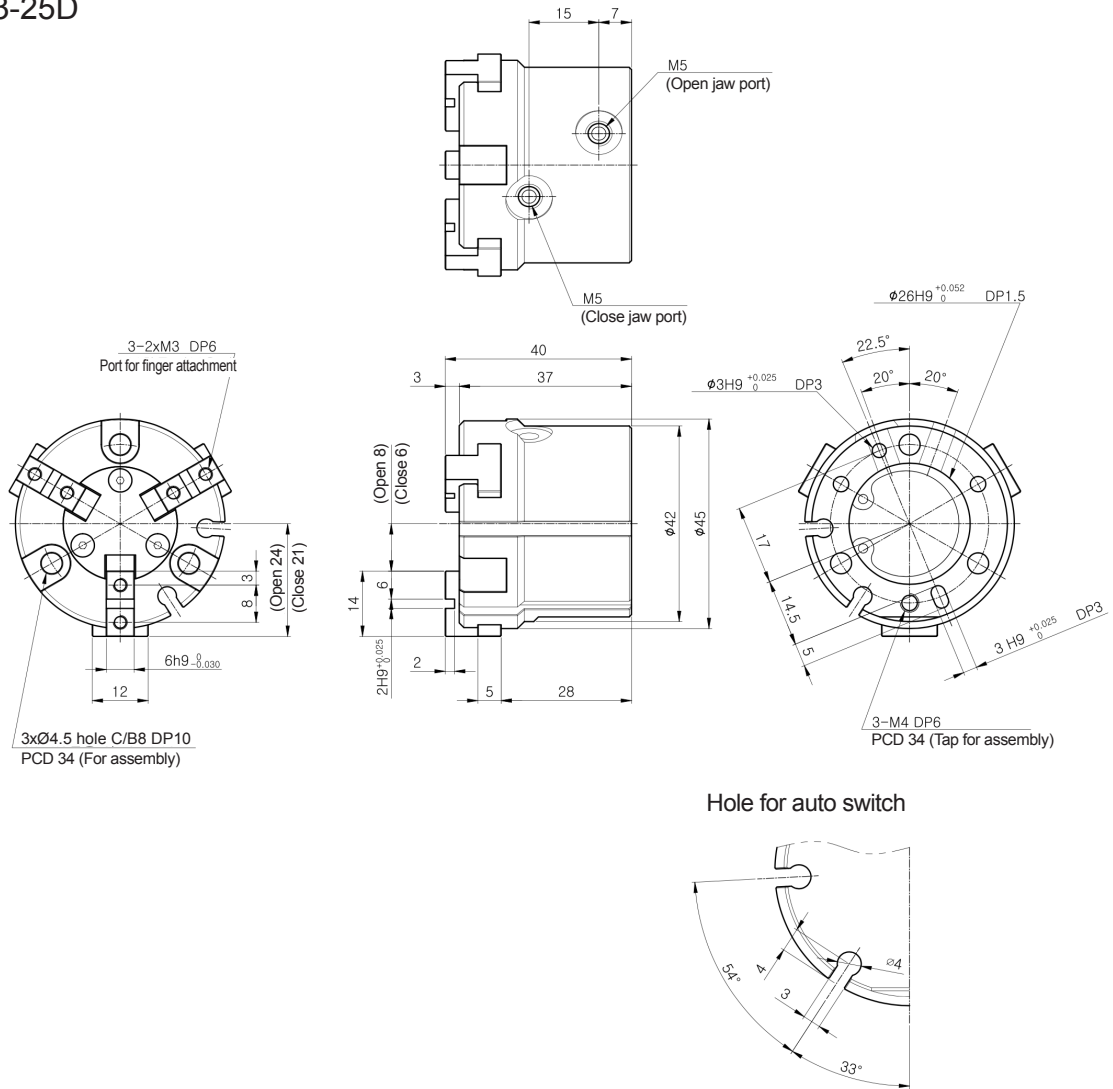
Dimensions

KHS3-20D



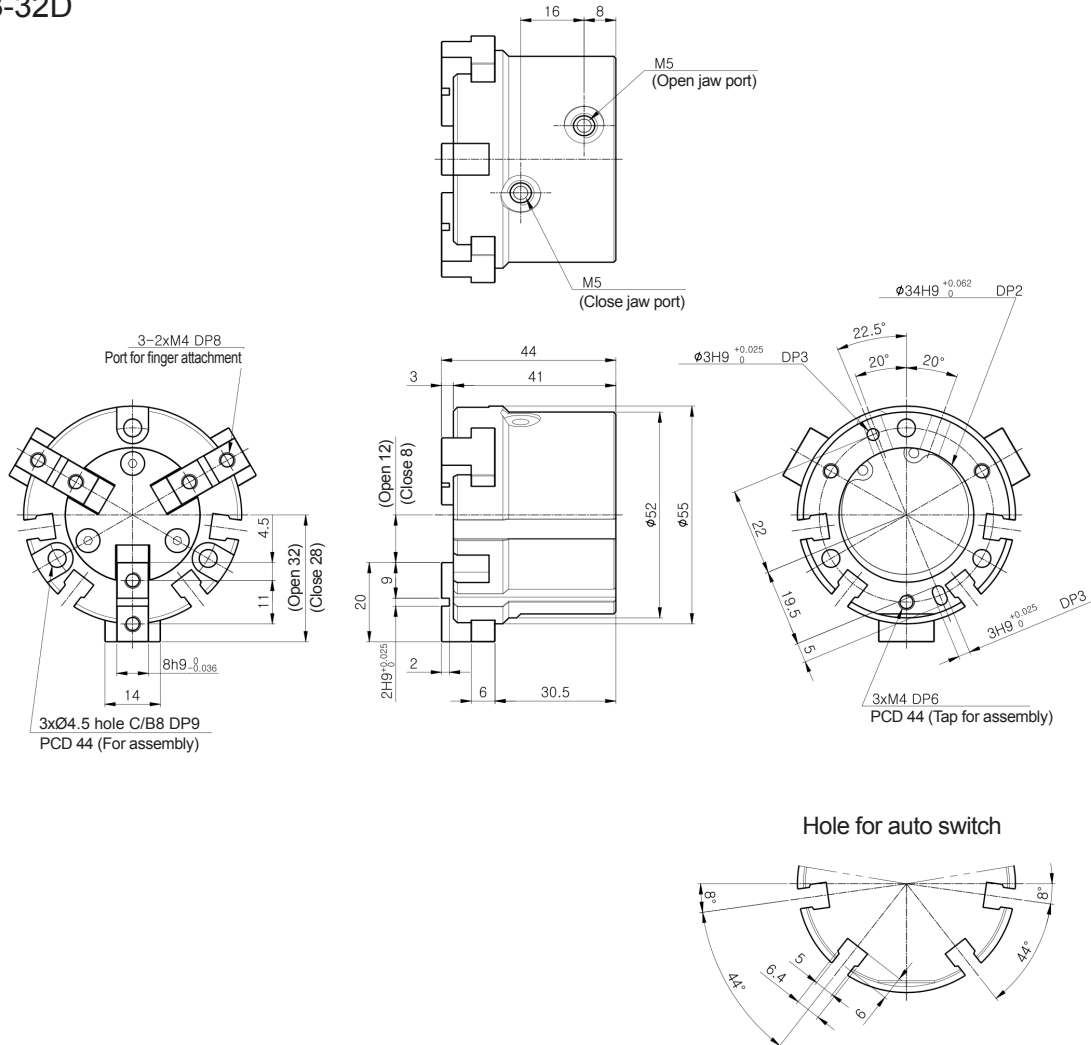
Dimensions

KHS3-25D



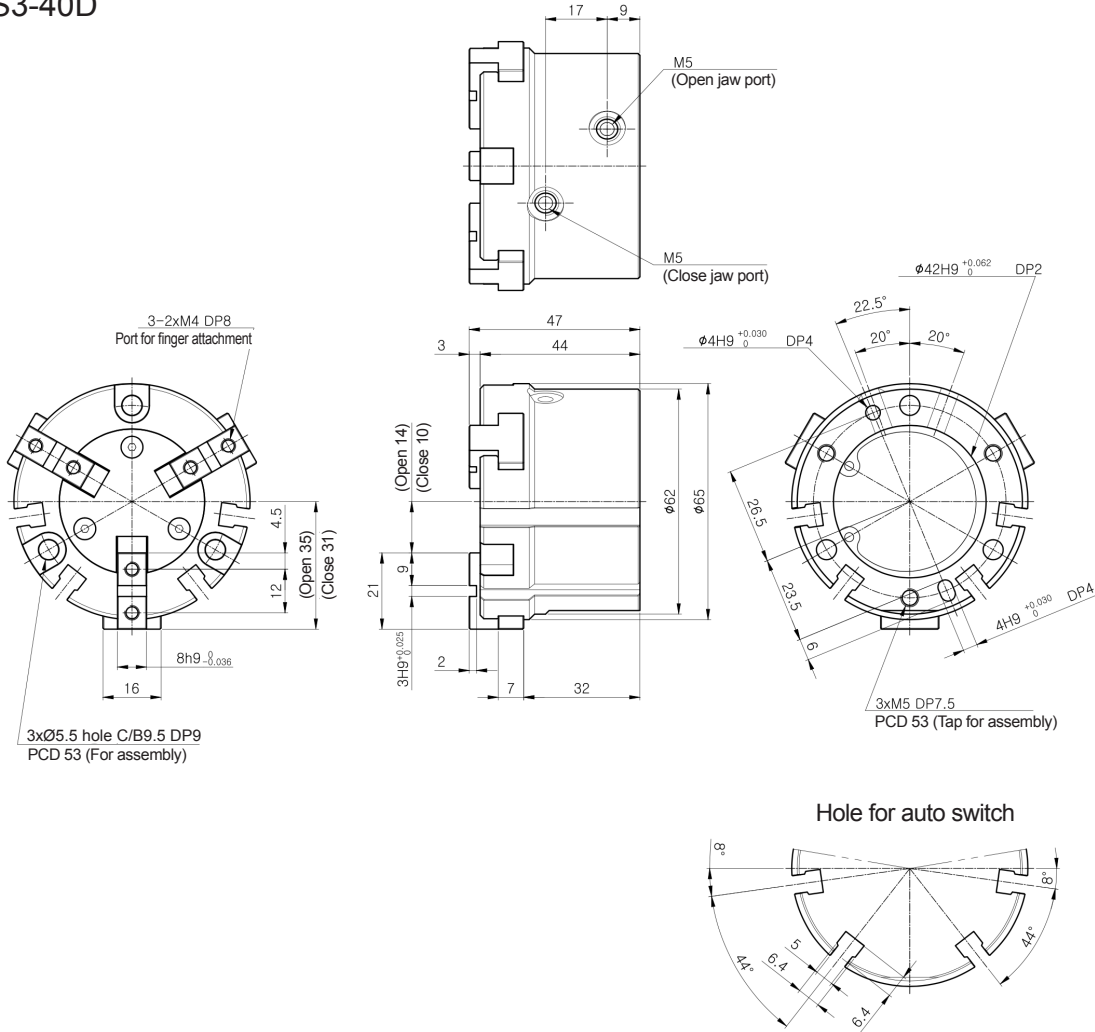
Dimensions

KHS3-32D



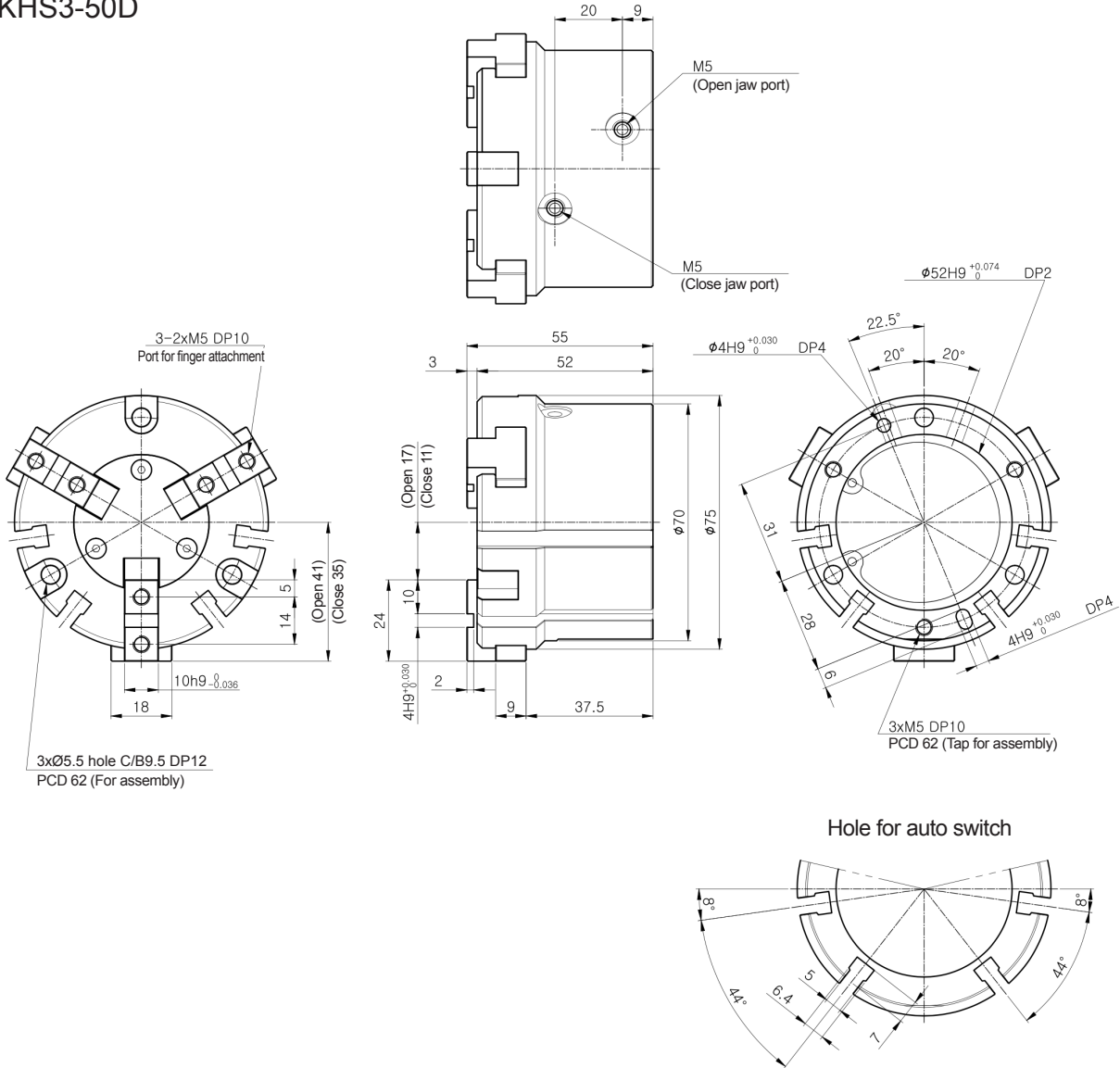
Dimensions

KHS3-40D



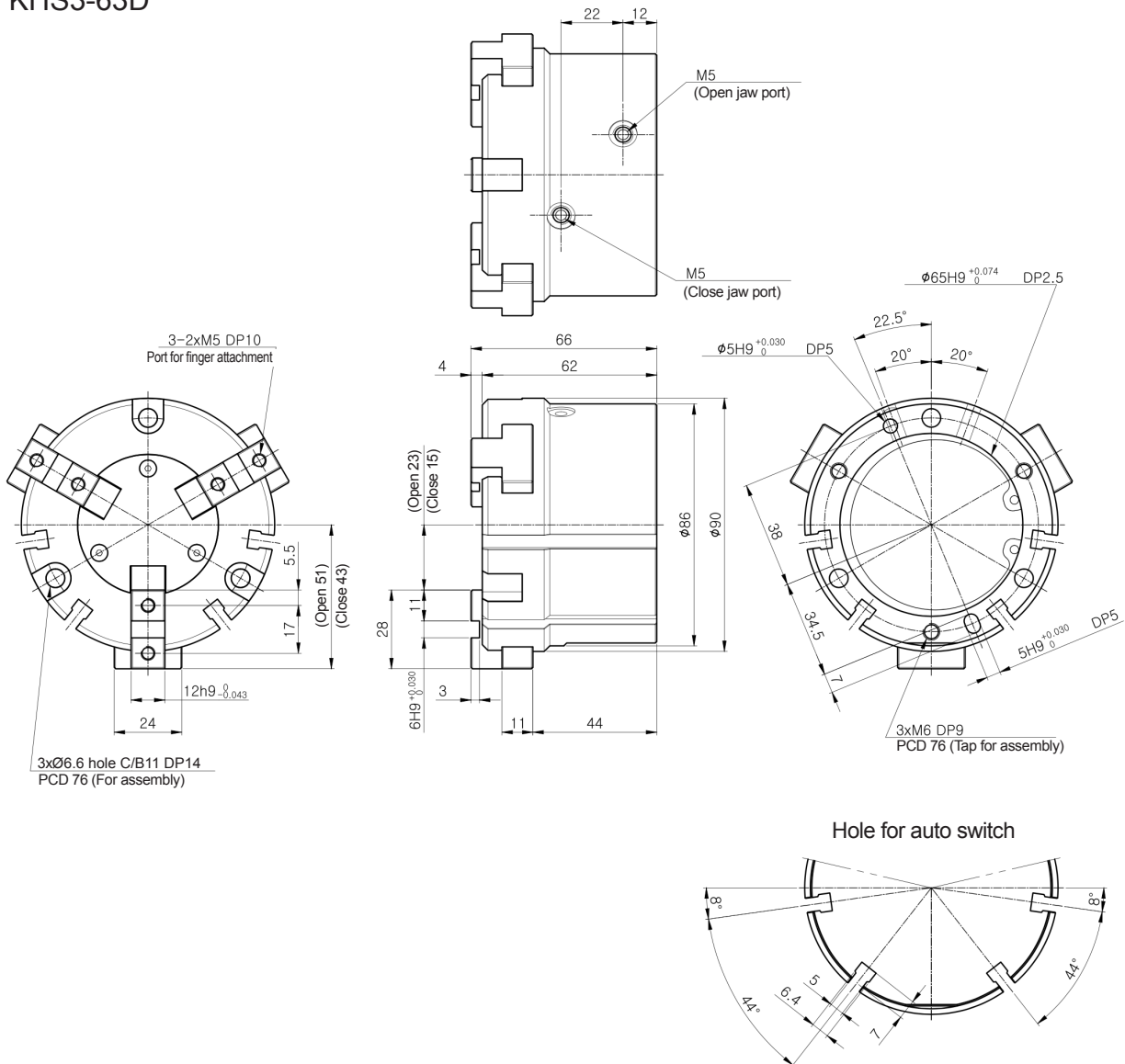
Dimensions

KHS3-50D



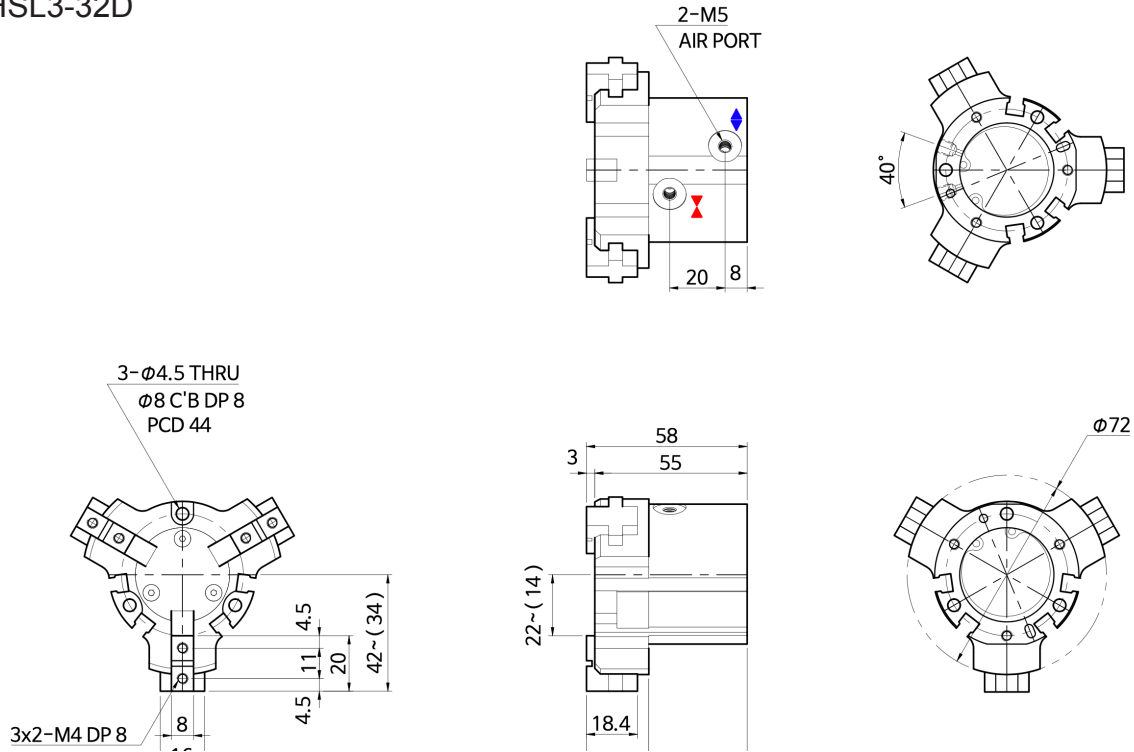
Dimensions

KHS3-63D

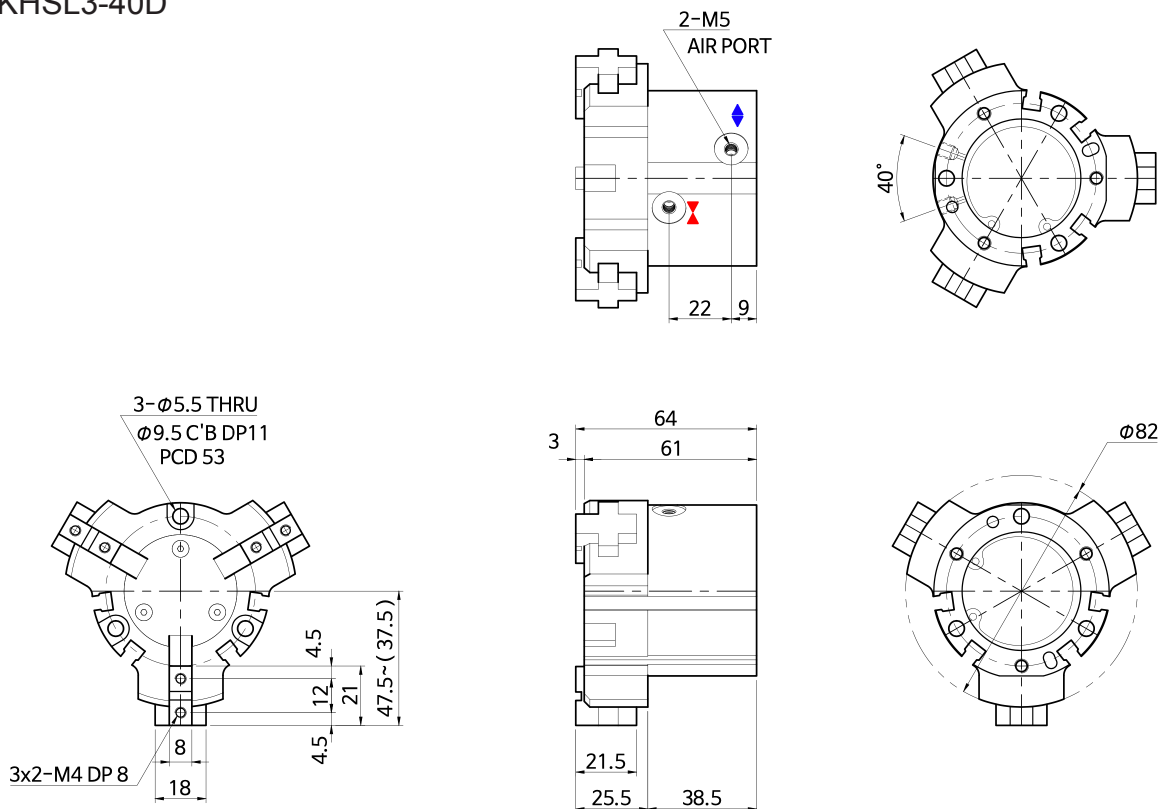


Dimensions

KHSL3-32D

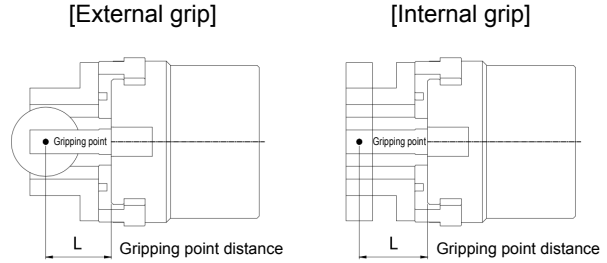


KHSL3-40D



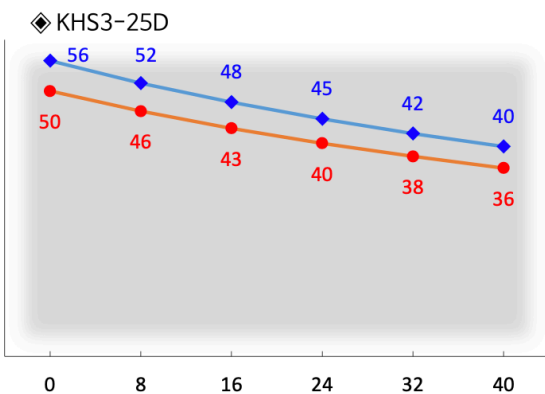
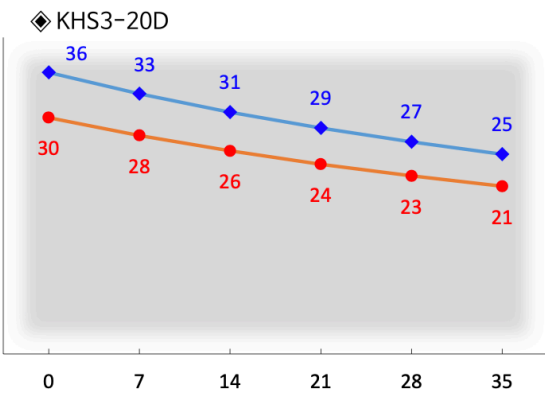
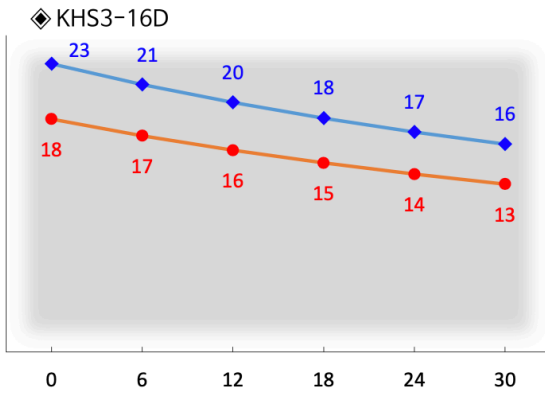
Effective gripping force

※ Gripping force refers to the thrust of one finger when both the finger and the attachment are completely in contact with the workpiece.



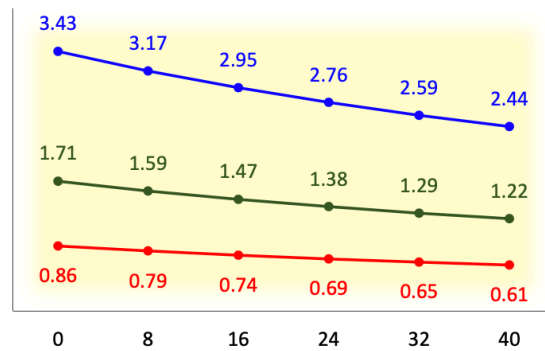
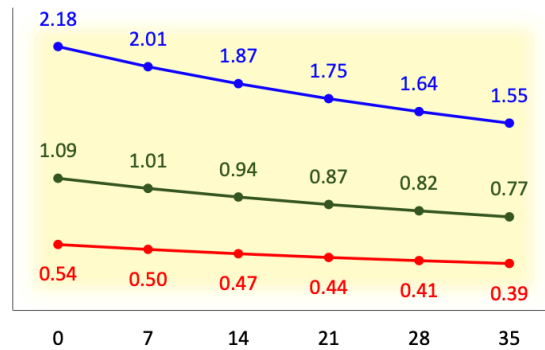
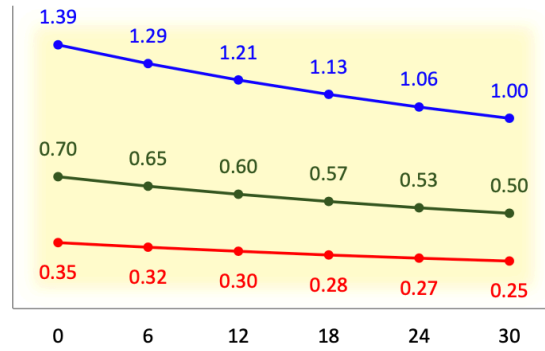
Gripping force [N] (Pressure = 0.5[MPa])

◆ : Open | ● : Close



WORK weight by condition when closed [kg] (Pressure = 0.5[MPa])

(Condition of use) — (Fixed or slow moving)
— (General deceleration and acceleration such as linear motion)
— (Rapid deceleration and acceleration such as robot attachment or rotation)

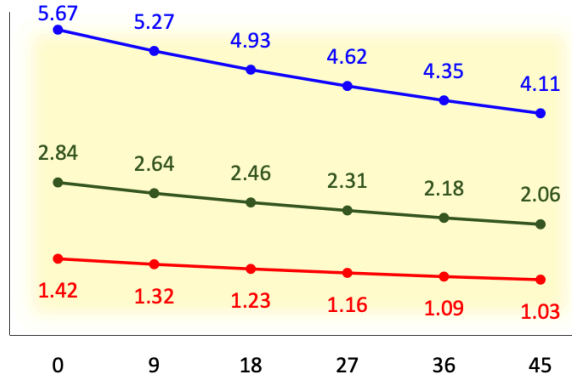
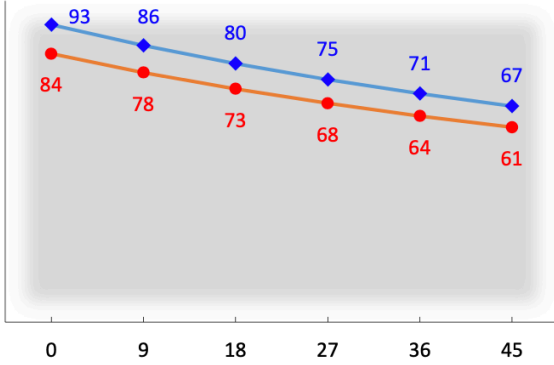


Effective gripping force

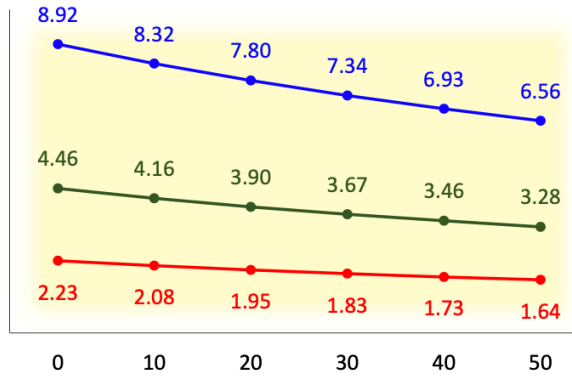
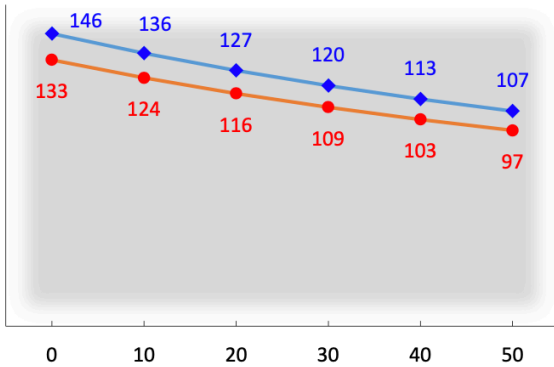
Gripping force [N] (Pressure = 0.5[MPa])

WORK weight by condition when closed [kg] (Pressure = 0.5[MPa])

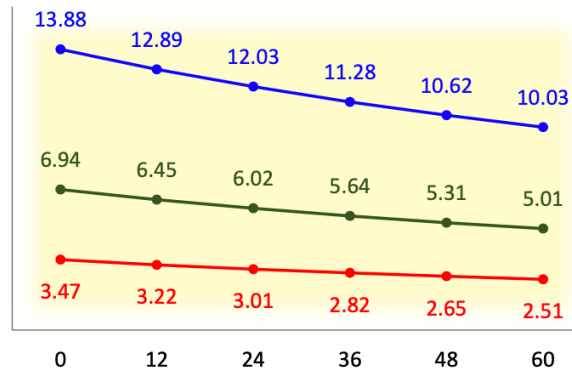
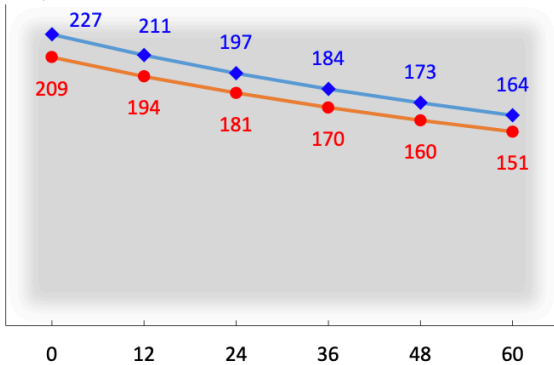
◆ KHS(L)3-32D



◆ KHS(L)3-40D



◆ KHS3-50D



◆ KHS3-63D

