

KAGL series



KAGL-30

Features

- Angular type air gripper
- Auto switch is attachable
- Hard anodizing on the body to improve surface hardness and durability
- Dust cover can be attached
- The structure of 4 tabs and 2 pins at the bottom of the main body allows for a solid installation

How to order

KAGL - 20 + A93 x 2

①

②

③

④

① Series

KPG01	Compact type parallel gripper
-------	-------------------------------

④ Quantity of sensor parts

#	Quantity of sensor
---	--------------------

② Bore size

12	Ø12	25	Ø25
16	Ø16	32	Ø32
20	Ø20		

③ Auto switch

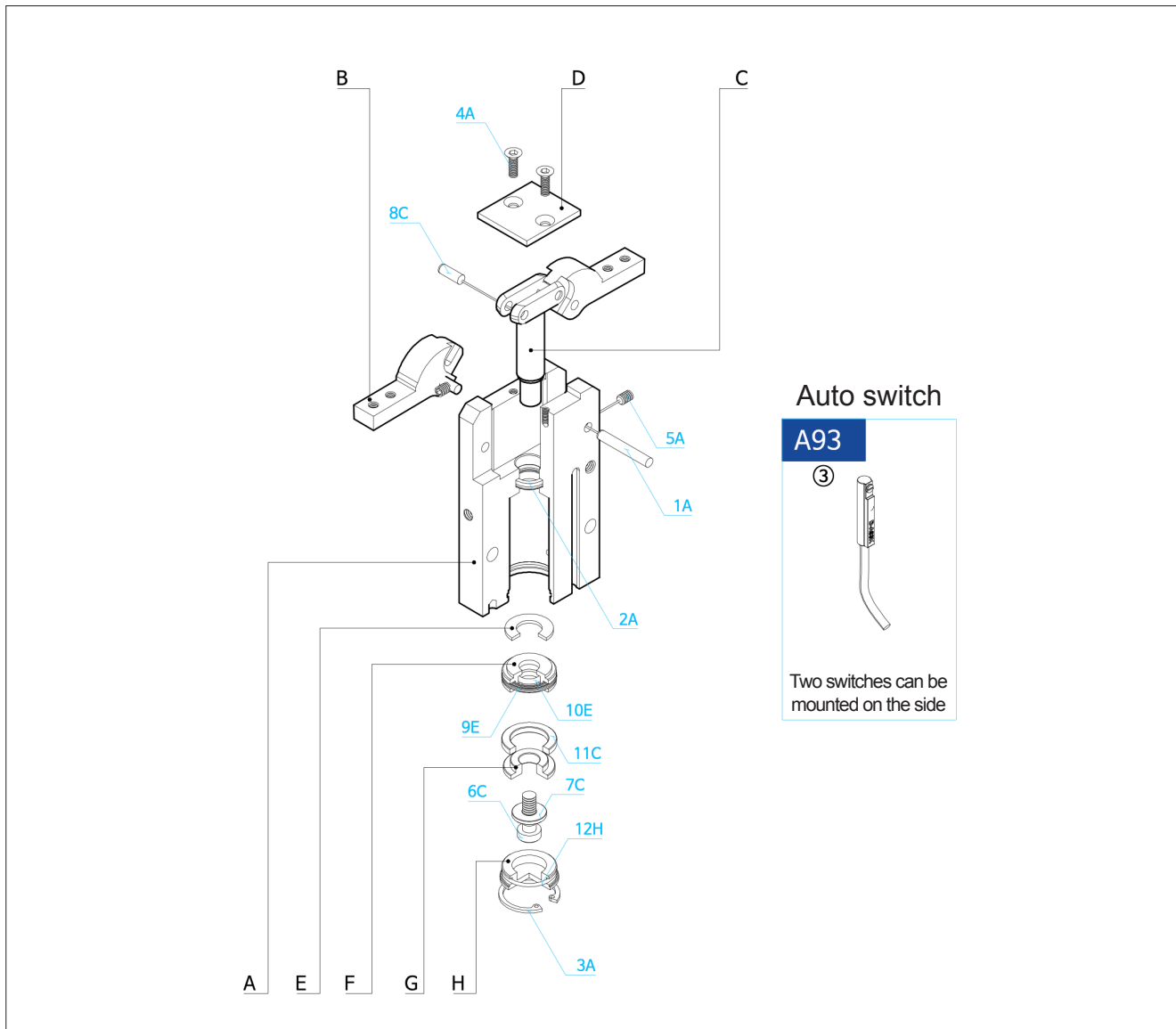
Reed A/S	Model	Solid state A/S	Model	Notes
A93(V)	D-A93(V)K	F-9□(V)	D-F9□(V)K	□ = N, P, B
A93N	D-A93KN	F-9□(V)	D-F9□(V)K	
A93(V)S	D-A93(V)K-S	F-9□(V)	D-F9□(V)K	

※ Refer to Auto Switch Catalogue for more information.

Specifications

	KAGL-12	KAGL-16	KAGL-20	KAGL-25	KAGL-32	
Fluid	Compressed air					
Operating Pressure	2~7kgf/cm ² (0.2~0.7MPa)		1~7kgf/cm ² (0.1~0.7MPa)			
Ambient Temperature	0~60°C					
Opening/Closing angle(°)(Both side)	-3°~180°					
Port size	M5				Rc(PT) 1/8	
Air consumption(CC/Cycle)	1.2	4.4	8.7	17.9	33.4	
Max. gripping point(mm)	20	32	40	50	65	
Frequency(Cycle/min)	20		15		10	
Repeat Accuracy(mm)	±0.1 (After initial 100 operation) / ±0.2 (After 1 million operation)					
Gripping force(N) ※ P = Mpa, L=mm	Open	$\frac{29.4xP}{1+0.043xL}$	$\frac{78.98xP}{1+0.035xL}$	$\frac{122.22xP}{1+0.027xL}$	$\frac{196.27xP}{1+0.022xL}$	$\frac{304.03xP}{1+0.018xL}$
	Close	$\frac{18.82xP}{1+0.043xL}$	$\frac{59.24xP}{1+0.035xL}$	$\frac{91.66xP}{1+0.027xL}$	$\frac{151.05xP}{1+0.022xL}$	$\frac{228.02xP}{1+0.018xL}$
Weight(kg)	0.07	0.15	0.32	0.56	1	

Structure

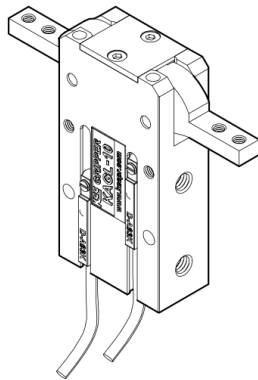
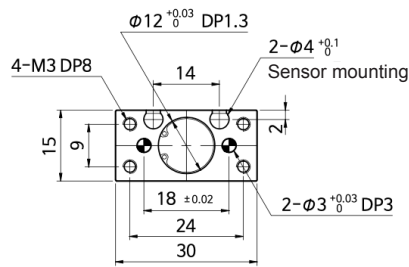
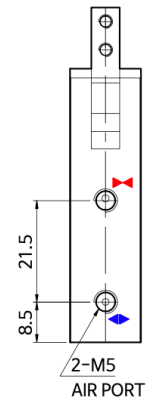
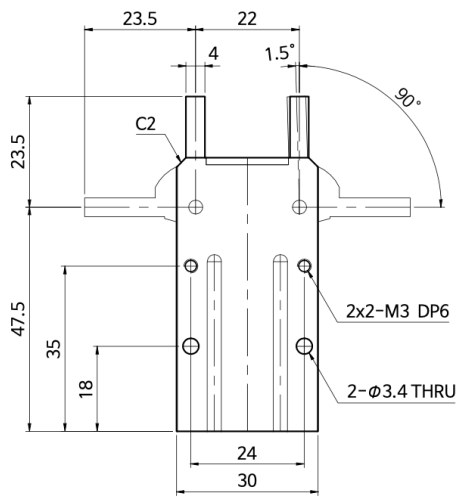
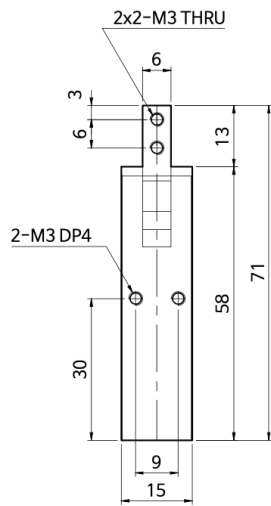
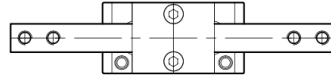


No	Parts	Material	Remark
A	Gripper Body	Aluminum alloy	Hard Anodizing
B	JAW	Steel alloy	
C	Plunger	Steel alloy	
D	Dust cover	Aluminum alloy	
E	Damper	Urethane rubber	
F	Piston	Aluminum alloy	
G	Magnetic cover	Aluminum alloy	
H	End cover	Aluminum alloy	

No	Parts	Remark
1A	Dowel pin	
2A	Rod packing	
3A	Snap ring	
4A	Headless bolt	
5A	Set screw	
6C	Piston Fastening bolt	
7C	Washer	
8C	Dowel pin	
9E	Piston packing	
10E	O-ring	
11C	Neodymium Magnet	
12H	O-ring	

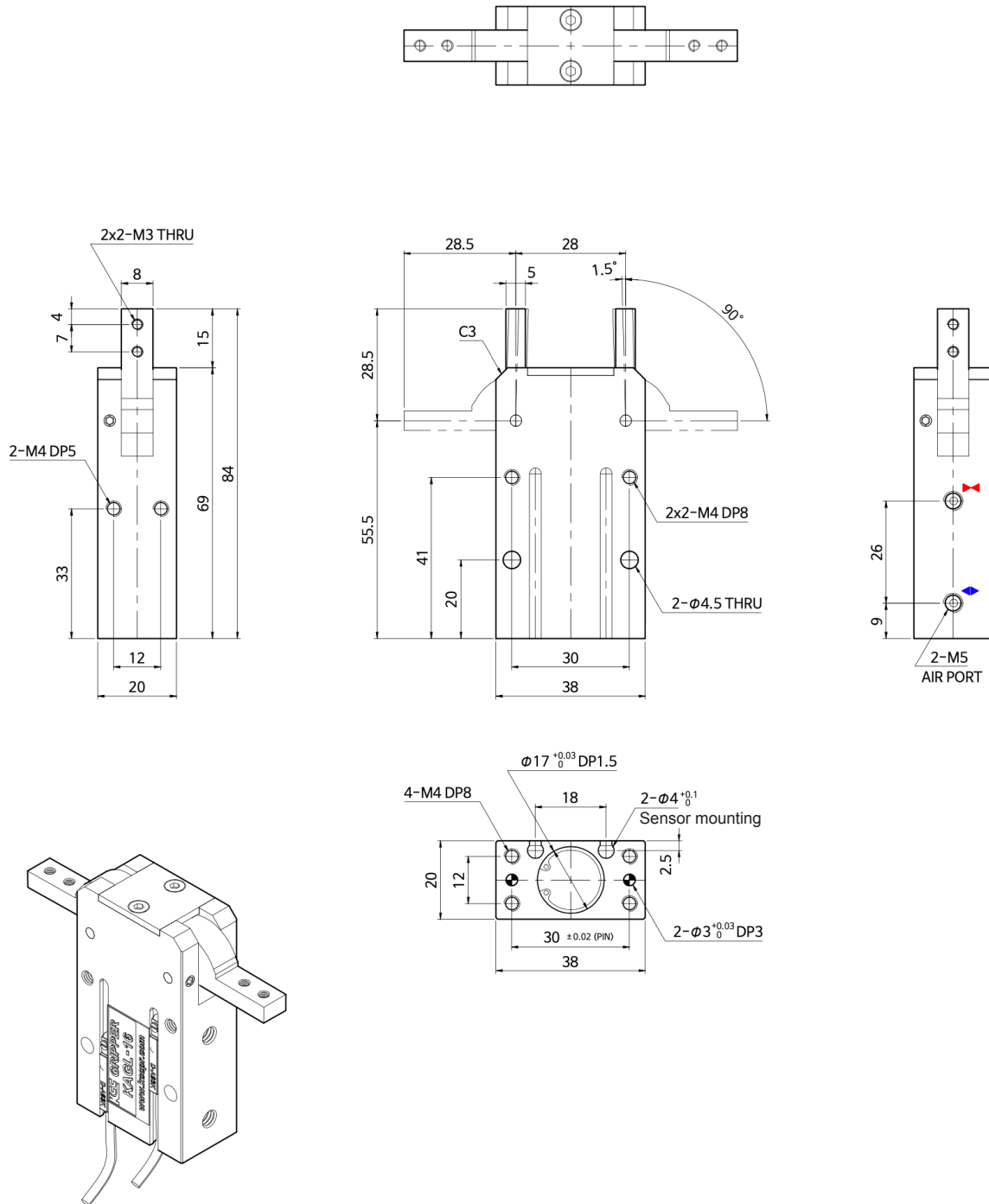
Dimensions

KAGL-10



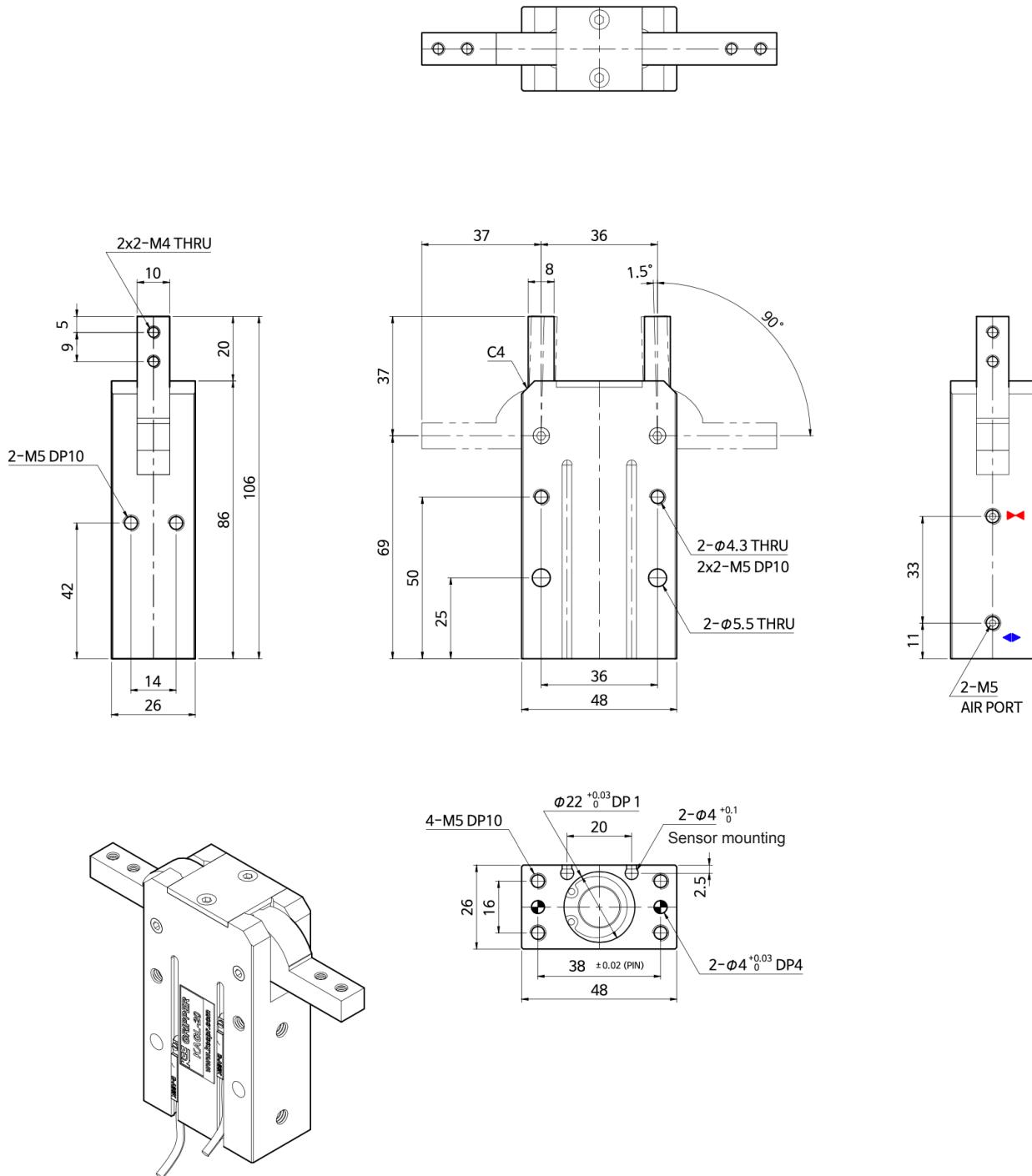
Dimensions

KAGL-16



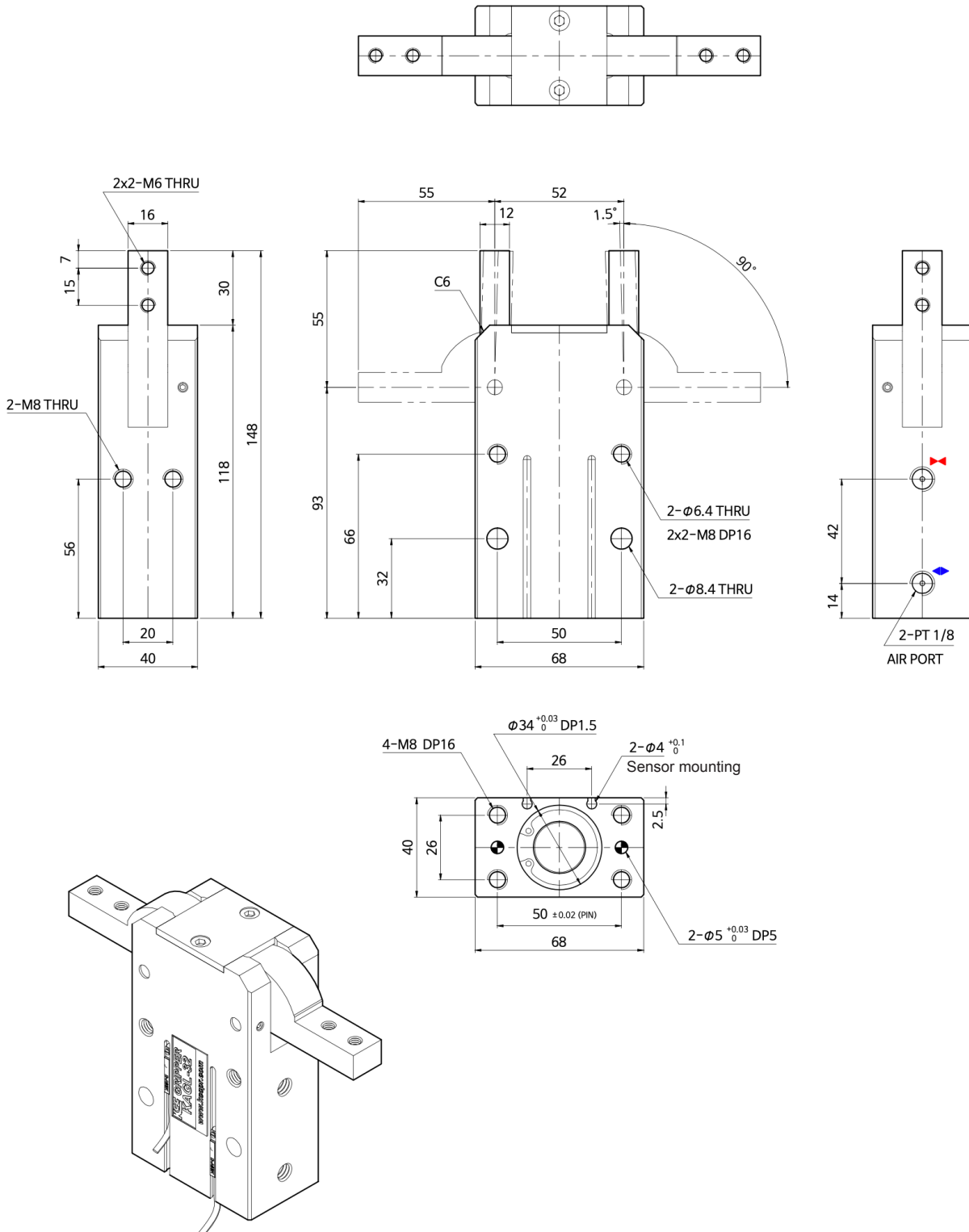
Dimensions

KAGL-20



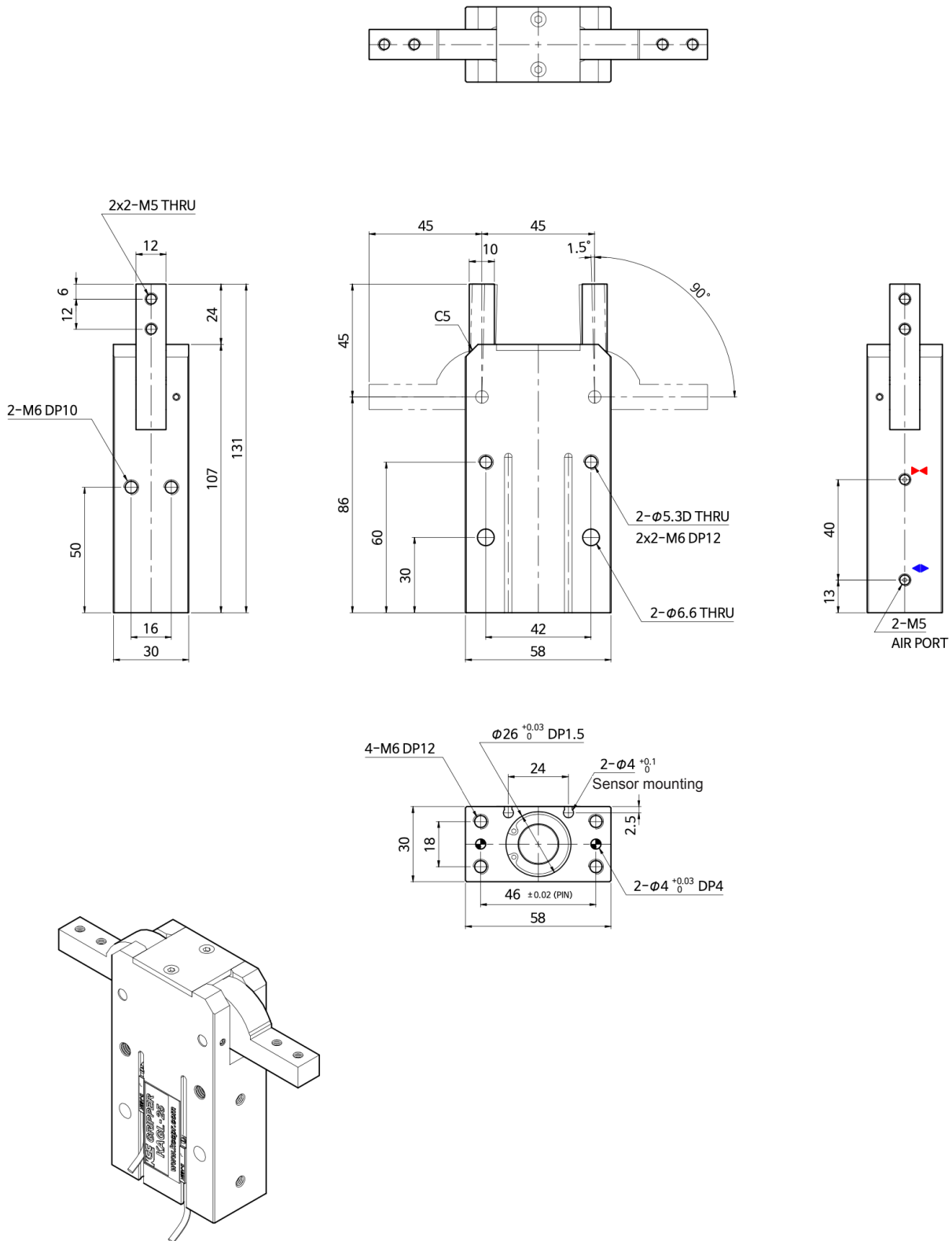
Dimensions

KAGL-32



Dimensions

KAGL-25

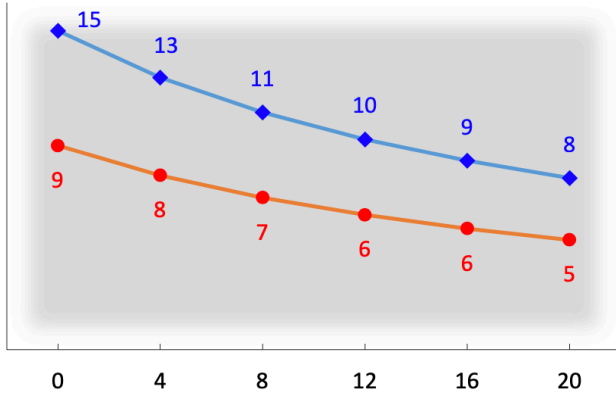


Effective gripping force

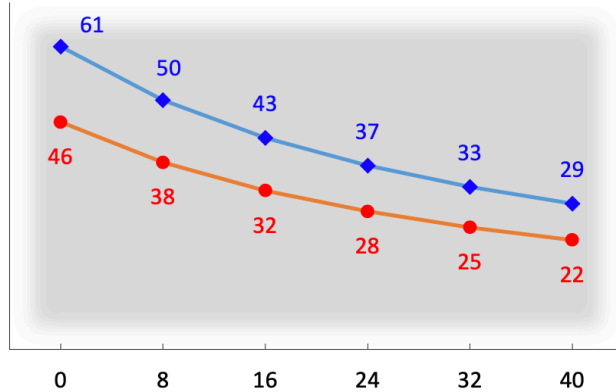
Gripping force [N] (Pressure = 0.5[MPa])

◆ : Open | ● : Close

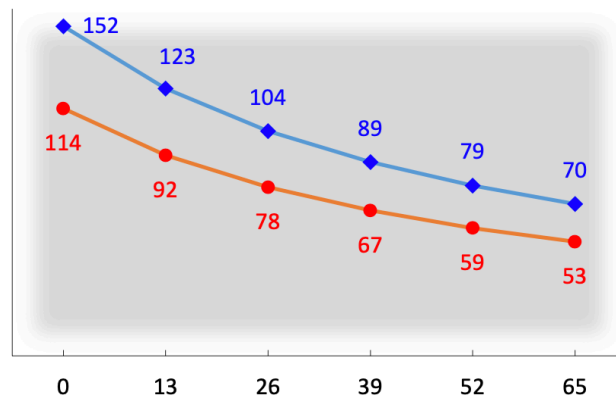
◆ KAGL-10



◆ KAGL-20



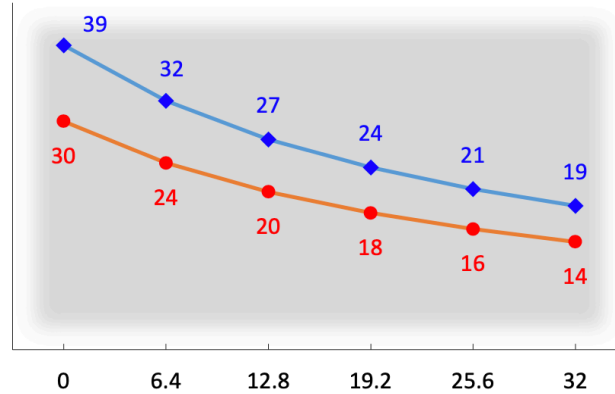
◆ KAGL-32



Work weight calculation method for each usage condition

- (Condition of use)
1. Fixed or slow moving: Graph x 1/5
 2. General deceleration and acceleration such as linear motion: Graph x 1/10
 3. Rapid deceleration and acceleration such as robot attachment or rotation: Graph x 1/20

◆ KAGL-16



◆ KAGL-25

